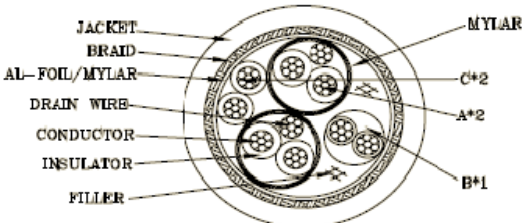
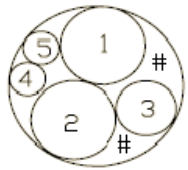
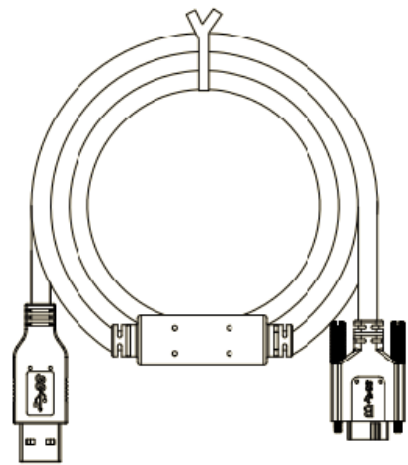


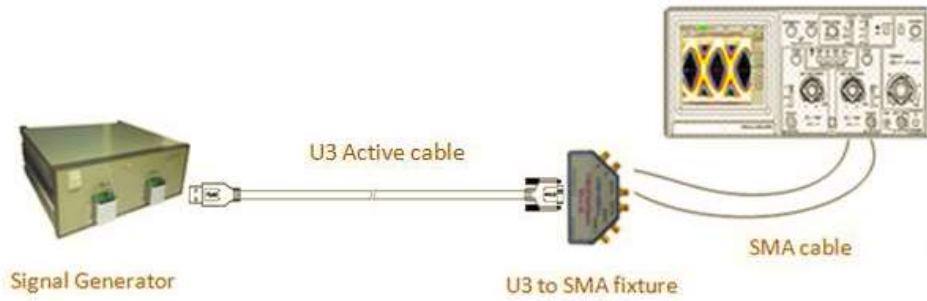
Approved :	Project No. USB3AC UL style: UL2725	Rev. No. Draft	Page 1																															
<b>Product Specification – ELII USB3.0 Active Cable (OD6.0)</b>																																		
<div style="display: flex; justify-content: space-around;"> <div style="text-align: center;">  </div> <div style="text-align: center;">  </div> </div> <div style="text-align: right; margin-top: 20px;">  </div> <p style="margin-top: 10px;"><b>Temperature Rating: 0°C~70°C</b></p>	<div style="text-align: center; margin-bottom: 10px;"> <b>Order information</b>  <b>ELII-USB3AC- A- CS- X- X</b>  <b>(1) (2) (3) (4)</b> </div> <p><b>(1) (2) Connector Type</b>  <b>A: USB3.0 A Type</b>  <b>B: USB3.0 B Type</b>  <b>CS: USB3.0 Micro B Type w / Screw</b></p> <p><b>(3) Cable Color</b>  <b>BL: Blue</b></p> <p><b>(4) Cable Length</b>  <b>A: 5M</b>  <b>B: 10M</b>  <b>C: 15M (UNDER-DEVELOPED)</b>  <b>D: 20M (UNDER-DEVELOPED)</b></p>																																	
<div style="text-align: center; margin-bottom: 10px;"> <b>Construction</b> </div> <table border="1" style="width: 100%; border-collapse: collapse;"> <tr><td style="width: 30%;"><b>Conductors:</b></td><td>Tinned Copper</td></tr> <tr><td><b>AWG</b></td><td>-</td></tr> <tr><td><b>Shielding:</b></td><td>Aluminum foil / Mylar</td></tr> <tr><td><b>Braid shield</b></td><td>Tinned Copper</td></tr> <tr><td><b>Braid Coverage(%)</b></td><td>90%</td></tr> <tr><td><b>Jacket:</b></td><td>PVC</td></tr> <tr><td><b>Dia.</b></td><td>6.0 ± 0.19 mm</td></tr> <tr><td><b>Min. Thickness</b></td><td>0.23 mm</td></tr> </table> <div style="text-align: center; margin-top: 10px;"> <b>Output power</b> </div> <p>1. Output Voltage:</p> <table border="1" style="width: 100%; border-collapse: collapse;"> <thead> <tr><th>Length</th><th>Min</th><th>Max</th></tr> </thead> <tbody> <tr><td>5M</td><td>4.4V</td><td>5.0V</td></tr> <tr><td>10M</td><td>4.1V</td><td>5.0V</td></tr> </tbody> </table> <p>2. Output current:</p> <table border="1" style="width: 100%; border-collapse: collapse;"> <thead> <tr><th>Length</th><th>Output current</th></tr> </thead> <tbody> <tr><td>5M</td><td>600mA</td></tr> <tr><td>10M</td><td>450mA</td></tr> </tbody> </table>	<b>Conductors:</b>	Tinned Copper	<b>AWG</b>	-	<b>Shielding:</b>	Aluminum foil / Mylar	<b>Braid shield</b>	Tinned Copper	<b>Braid Coverage(%)</b>	90%	<b>Jacket:</b>	PVC	<b>Dia.</b>	6.0 ± 0.19 mm	<b>Min. Thickness</b>	0.23 mm	Length	Min	Max	5M	4.4V	5.0V	10M	4.1V	5.0V	Length	Output current	5M	600mA	10M	450mA			
<b>Conductors:</b>	Tinned Copper																																	
<b>AWG</b>	-																																	
<b>Shielding:</b>	Aluminum foil / Mylar																																	
<b>Braid shield</b>	Tinned Copper																																	
<b>Braid Coverage(%)</b>	90%																																	
<b>Jacket:</b>	PVC																																	
<b>Dia.</b>	6.0 ± 0.19 mm																																	
<b>Min. Thickness</b>	0.23 mm																																	
Length	Min	Max																																
5M	4.4V	5.0V																																
10M	4.1V	5.0V																																
Length	Output current																																	
5M	600mA																																	
10M	450mA																																	

Approved :	Project No.	Rev. No.	Page
	UL style: UL2725	Draft	2

**Product Specification – ELII USB3.0 Active Cable (OD6.0)**

**Eye Pattern Testing Schematic Diagram**

**\*\*Input Signal Source: Swing Voltage 800mV; EQ(Equalizer)=0, DE(De-emphasis)= 0**

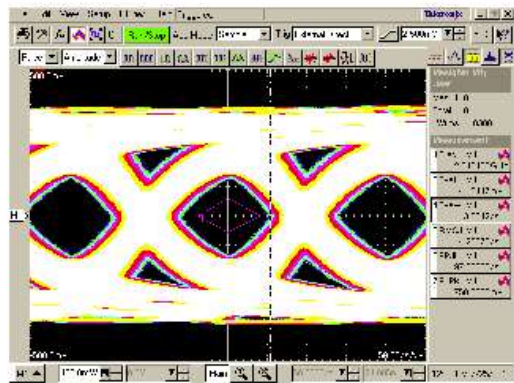
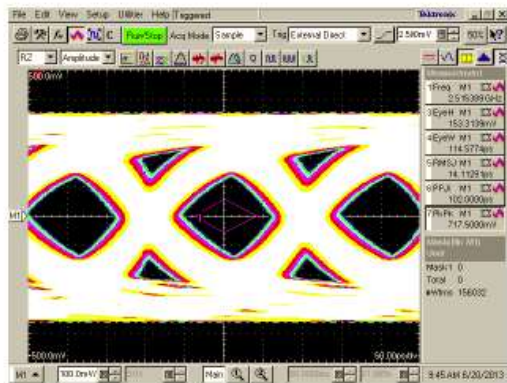


**Eye Pattern**

**1M Passive cable**

TX

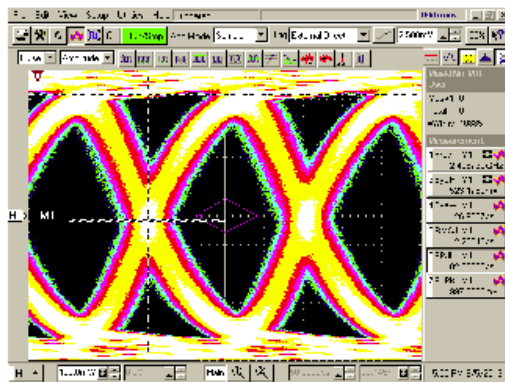
RX



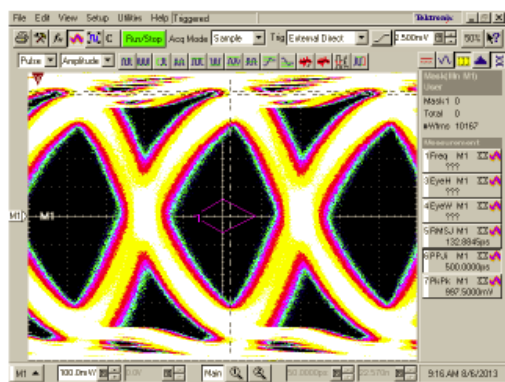
**Eye Pattern**

**5M Active cable**

**TX**

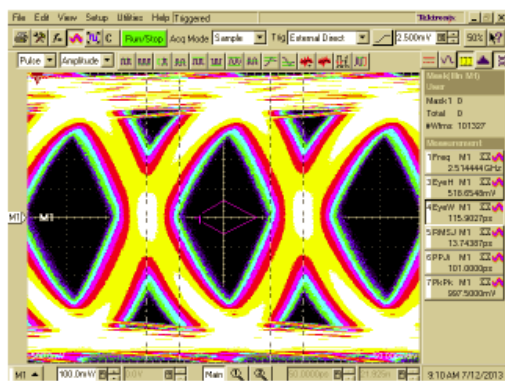


**RX**



**10M Active cable**

**TX**



**RX**

