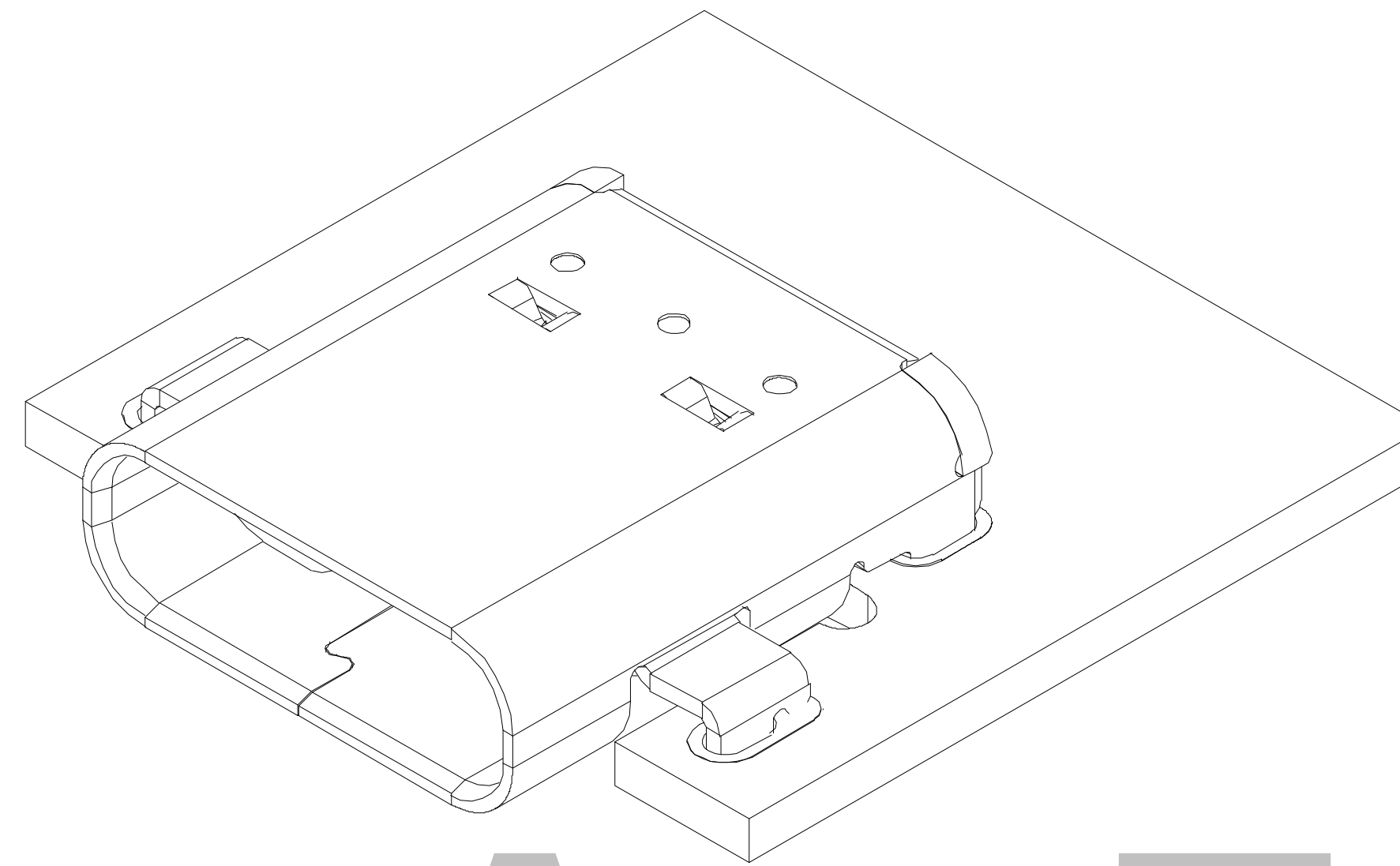
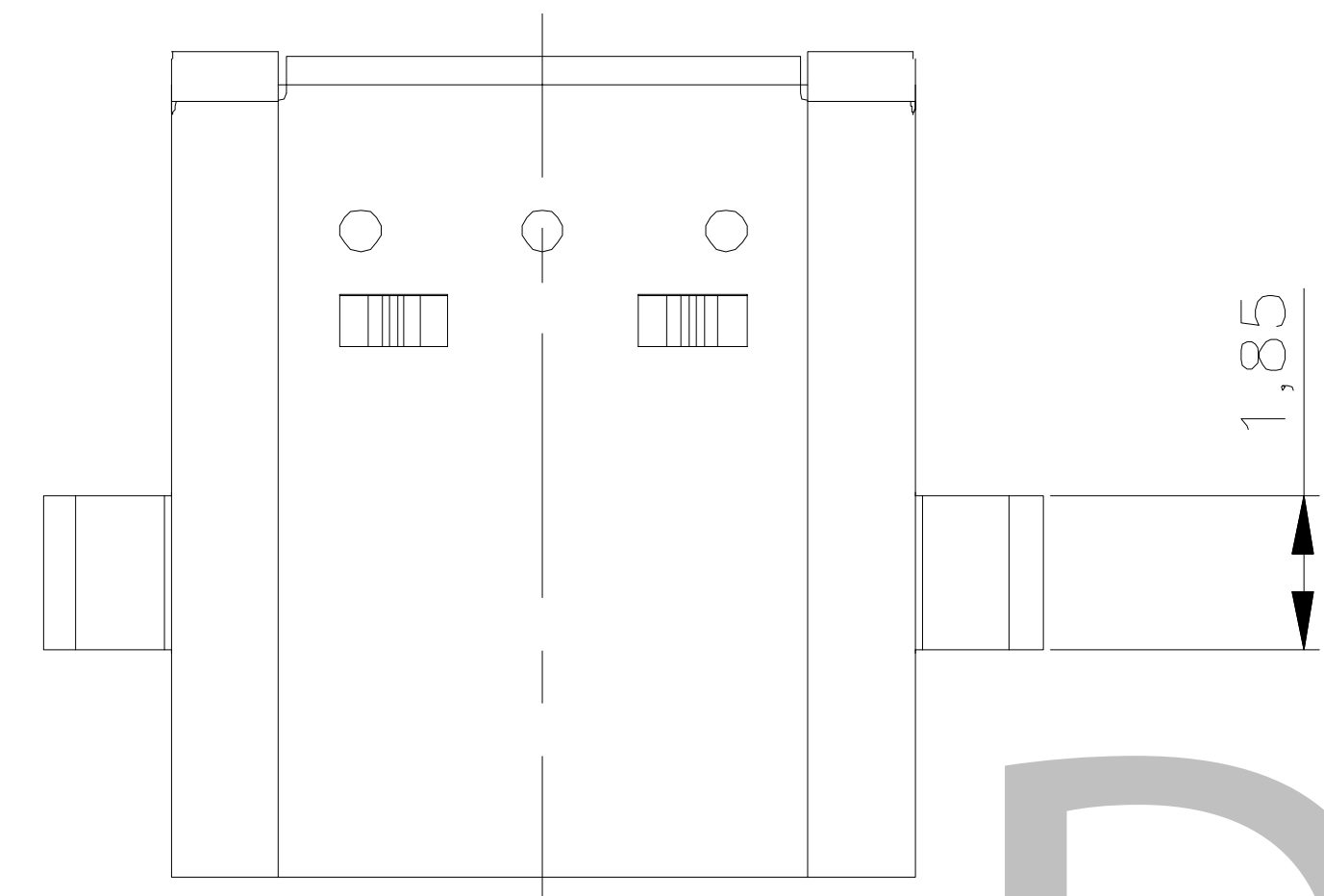
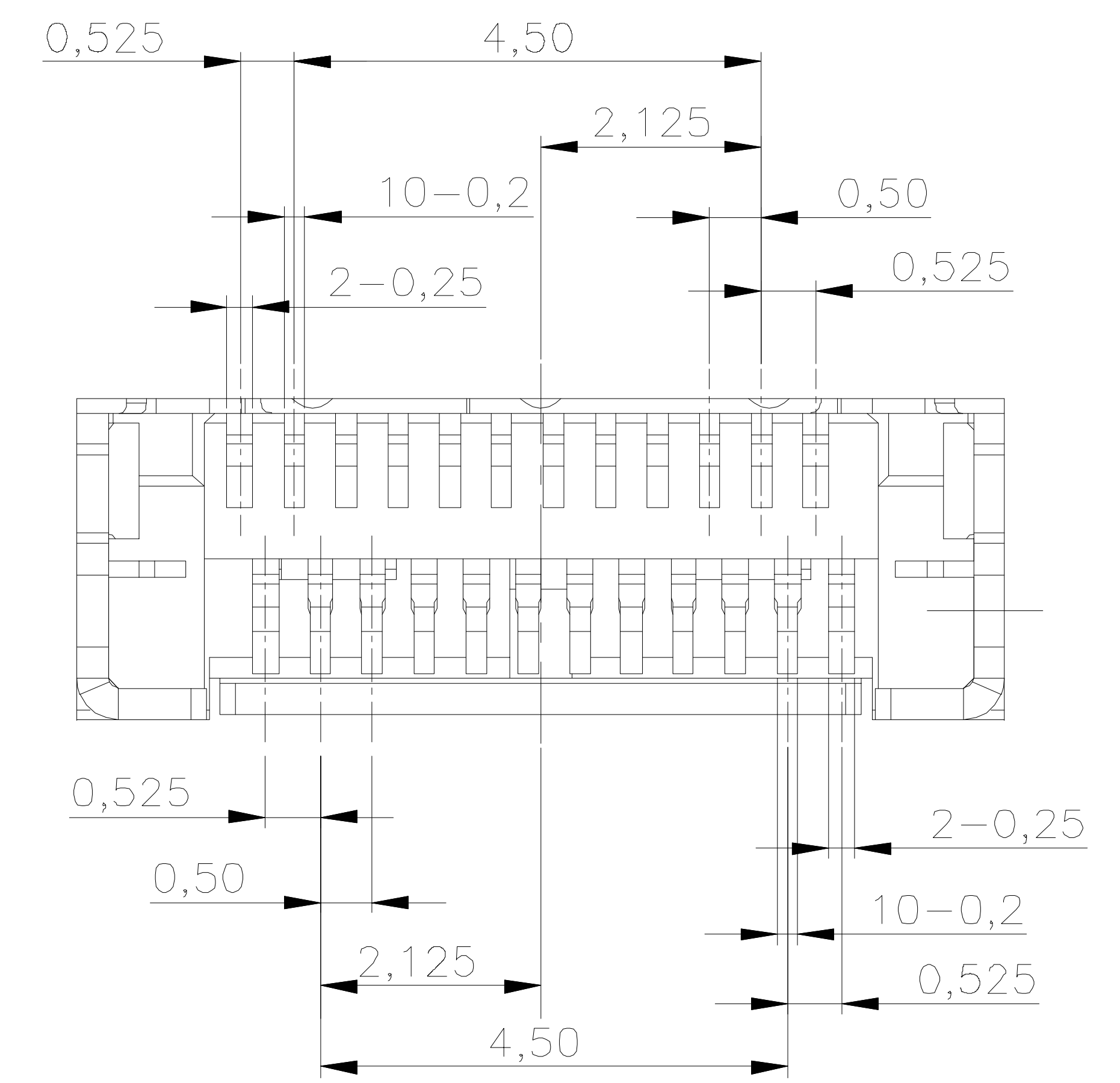
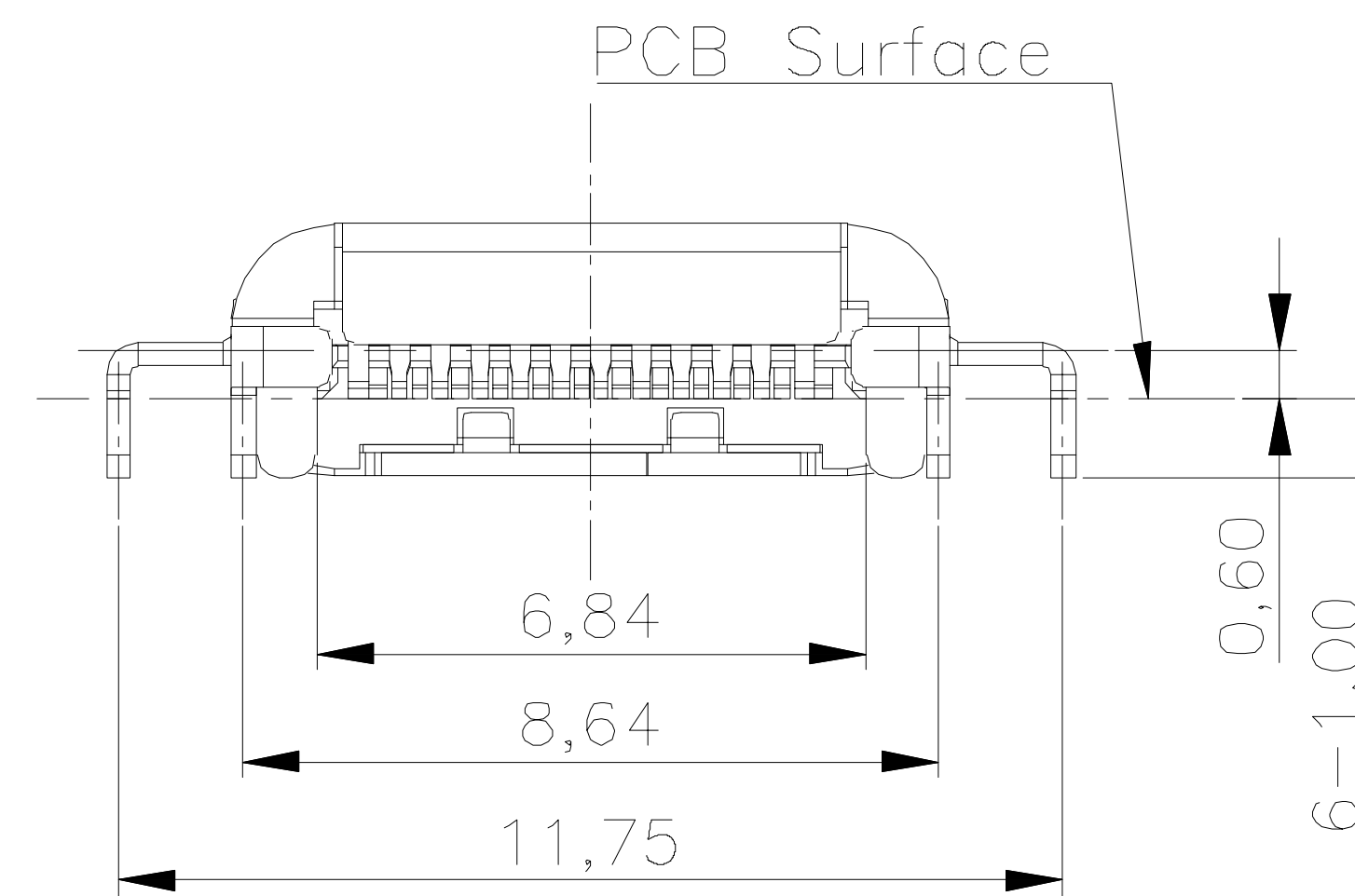
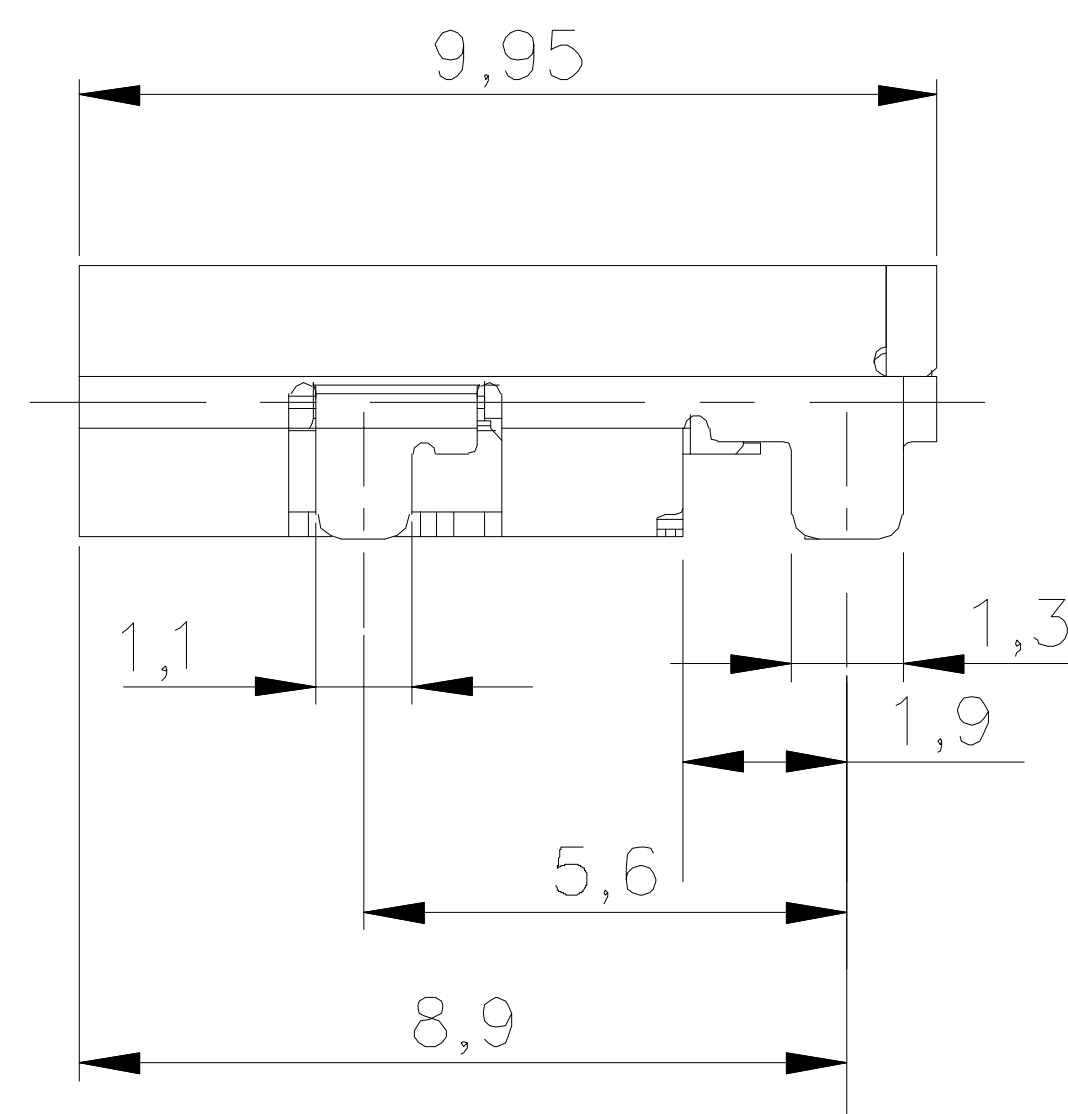
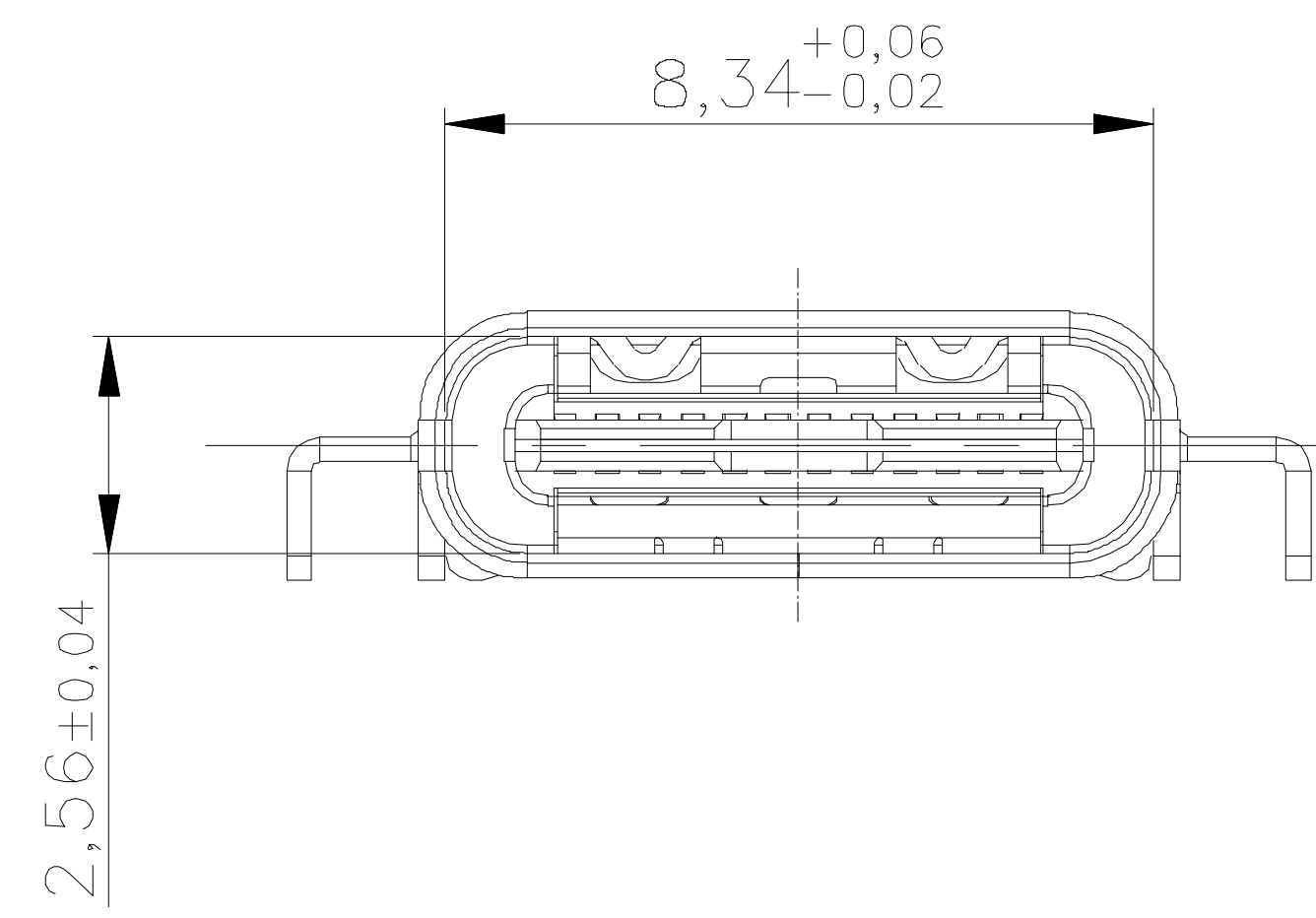


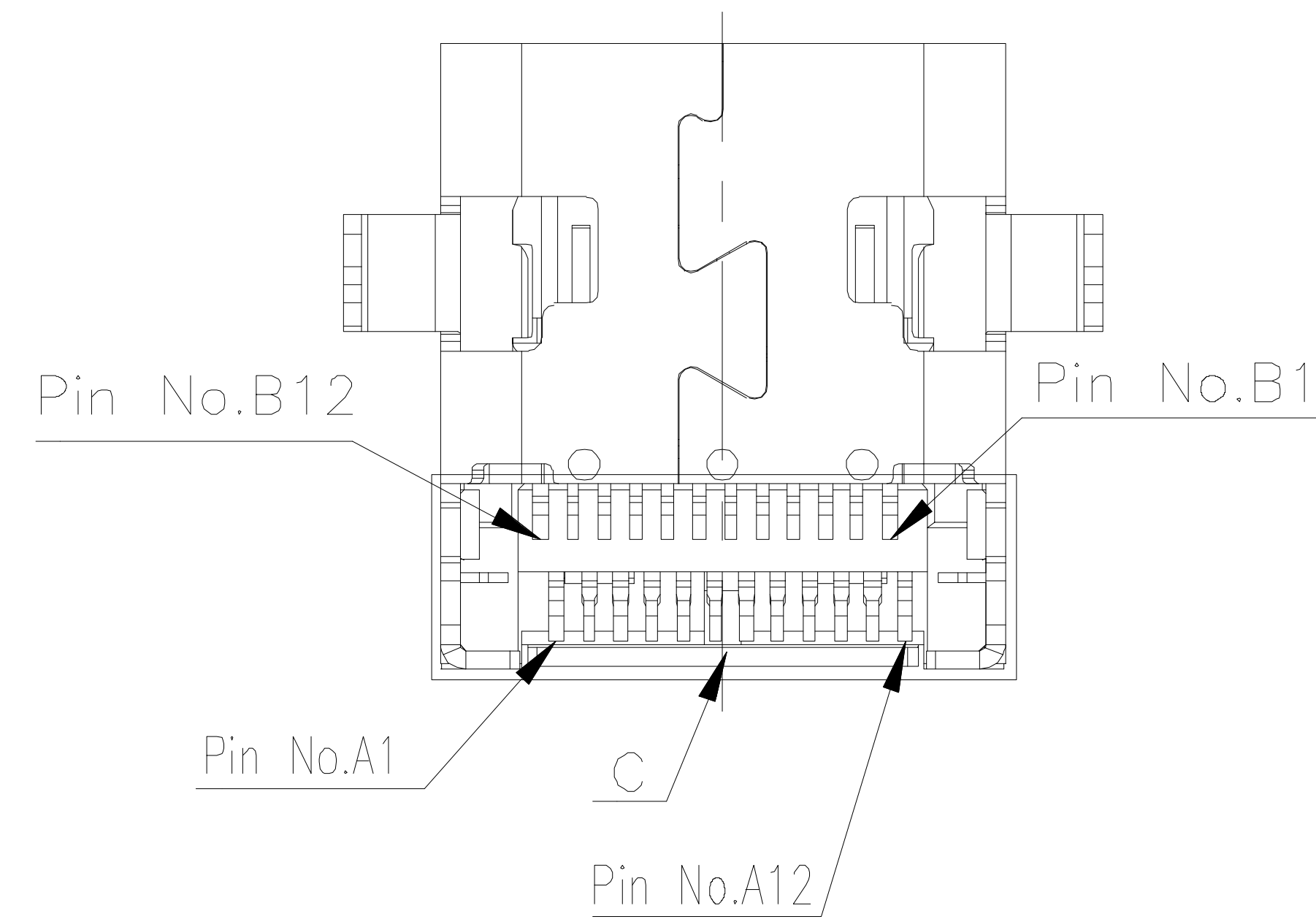
| REV | ECN | DESCRIPTION | DATE | DRAWN | APPROVED |
|-----|-----|-------------|------|-------|----------|
| | | | | | |



D R A F T



DETAIL C (SCALE 2:1)



| | | | | | | |
|---|-----|---|---------------------------|---|--------|----------|
| | | UNLESS OTHERWISE NOTED: DIMENSIONS IN MM | | USB 3.1 TYPE C RECEPTACLE (Mid-Mount Dual-Row SMT) | | |
| | | MATERIAL: AS NOTED | | | | |
| FINISH: AS NOTED | | SIZE | REV LEVEL | | | PART NO. |
| <small>THIS DOCUMENT SHALL NOT BE REPRODUCED, NDR SHALL THE INFORMATION CONTAINED HEREIN BE USED OR DISCLOSED TO OTHERS EXCEPT AS AUTHORIZED IN WRITING BY ELECTRONIC LINKS INTERNATIONAL, INC.</small> | | C | A | | | |
| DESIGNED BY: | SDR | 02JUN05 | ANGLES ± | 0.2° | SCALE | |
| CHECKED BY: | XXX | DD/MM/YY | EDGE/ CORNER BREAKS | OUTSIDE MAX. | | NONE |
| APPROVED BY: | XXX | DD/MM/YY | INSIDE MAX. | 0.15 | | SHEET |
| | | | | | 1 of 1 | |