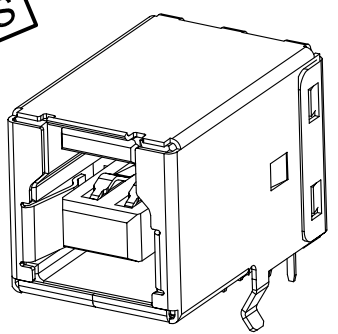
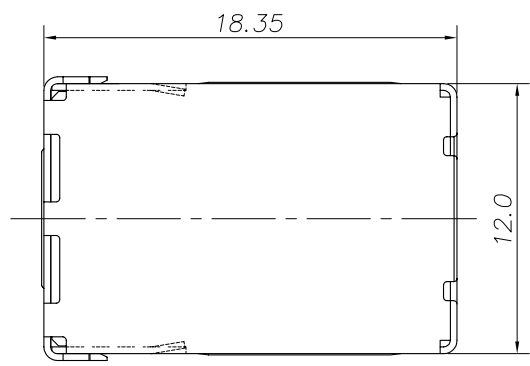


CUSTOMER COPY

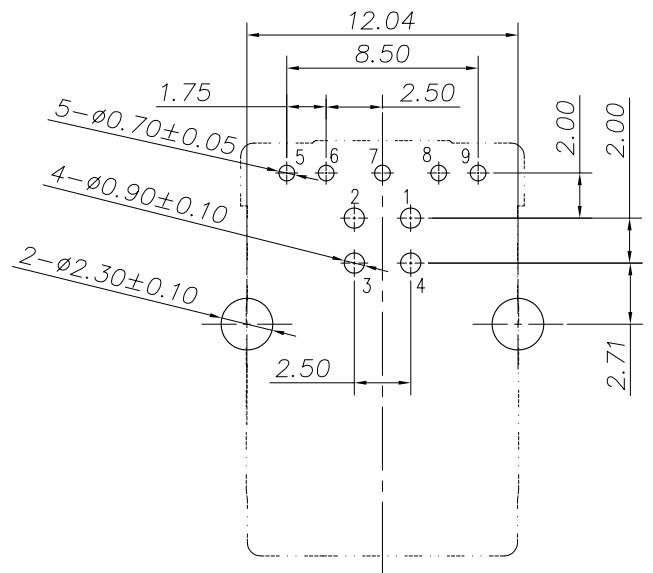
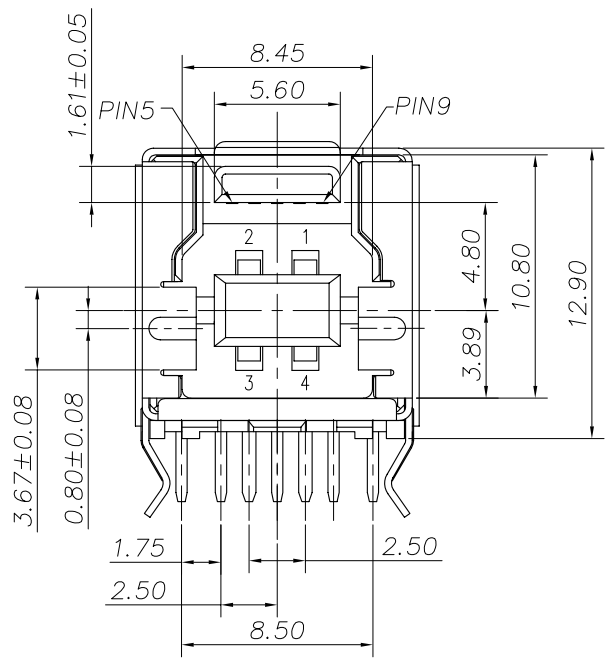
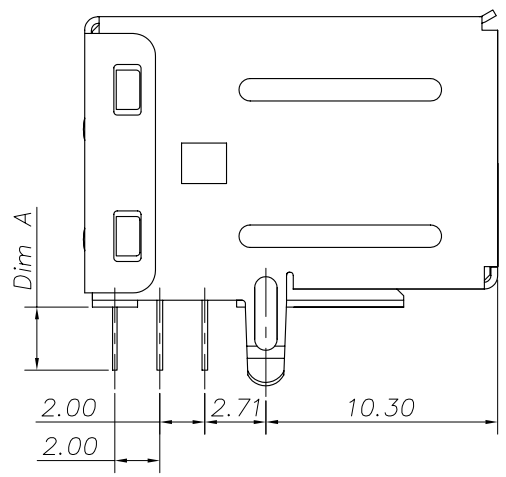
RoHS



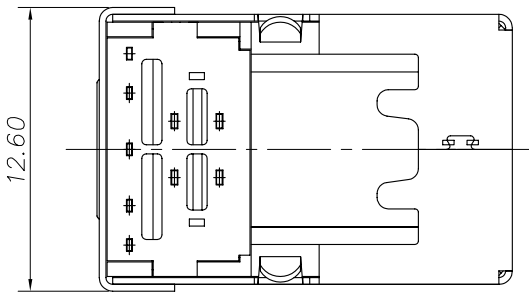
REV.	DESCRIPTION	BY/DATE	CHECK/DATE	APPROVED/DATE
1.0	D2266	Lemon Nov,27,09'		

Notes:

- 1) Material:
 Insulator : Thermoplastic G.F. UL94V-0
 Contacts : Brass
 Shell : Brass
- 2) Electrical
 Current Rating : 1.8 Amp
 Contact Resistance : 50 mΩ
 Insulation Resistance : 100 mΩ
 Dielectric Withstanding Voltage:100V AC Min.
- 3) Finish
 Refer to Order Information



PC Board Layout



Table

Dimension A
2.80mm
3.30mm

General Tolerance	Angle Tolerance	Lemon Nov,27,09'	ElectronicLinks international inc
.X ±0.30	.X' ±1.0'	Design Date	
.XX ±0.25	.XX' ±0.5'	Lemon Nov,27,09'	Item USB 3.0 CONNECTOR
.XXX ±0.10	.XXX' ±0.2'	CHK Date	USB B Type Socket Right
SHEET 1/1	FINISH See Notes	APPR Date	Angle Dip Type
Scale N/A	Unit: mm		Dwg. No. A05890
			Part No. USB-9FBRXXXX
			SIZE A4
			REV 1.0

Drawing is subject to change without notice. Any updated information required, please contact with our sales dept.