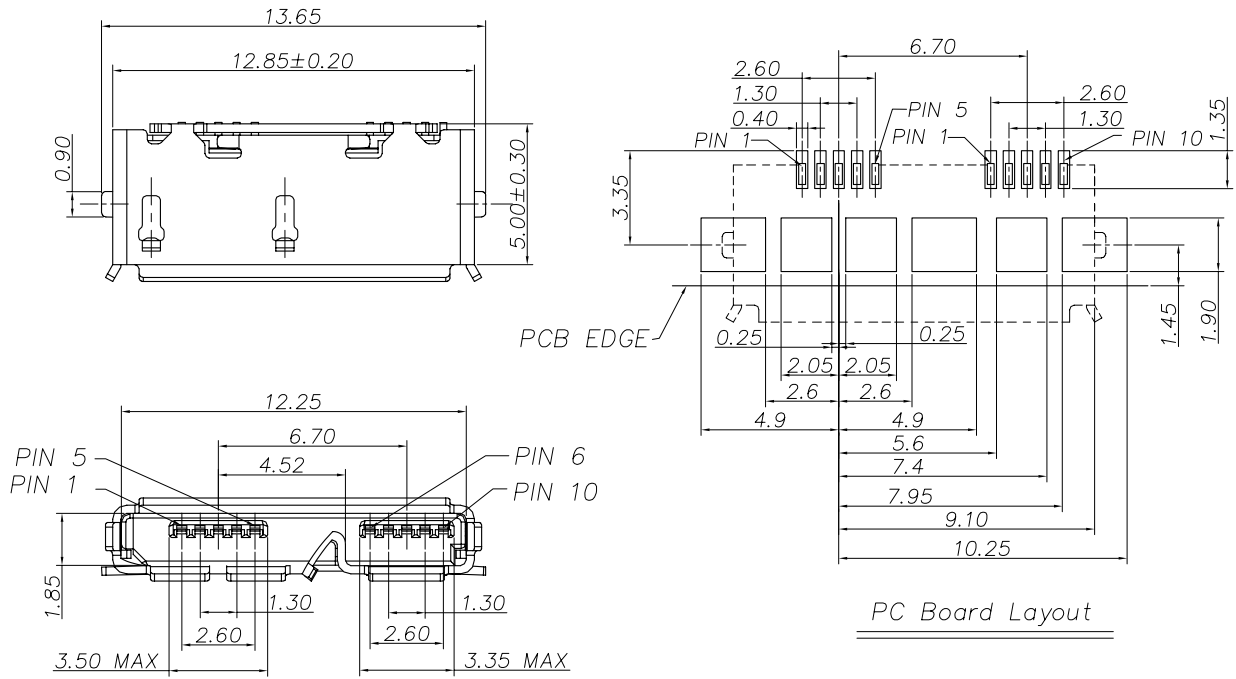


CUSTOMER COPY

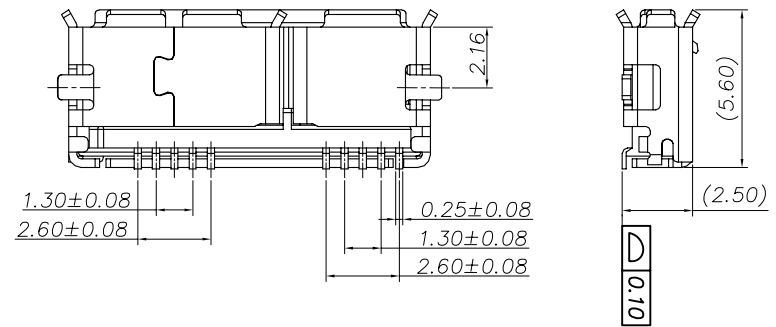
RoHS

REV.	DESCRIPTION	BY/DATE	CHECK/DATE	APPROVED/DATE
1.0	D2272	Lemon Dec,16,09'		



Notes:

- 1) Material:
 Housing : Thermoplastic G.F. UL94V-0
 Contacts : Copper Alloy
 Shell : Copper Alloy
- 2) Finish
 Refer to Order Information
- 3) QC Dimension Check



General Tolerance	Angle Tolerance	Dwg	Date	ElectronicLinks international inc
.X ±0.25 .XX ±0.20 .XXX ±0.10	.X° ±1.0° .XX° ±0.5° .XXX° ±0.2°	Lemon Dec,16,09'	Lemon Dec,16,09'	
SHEET 1/1		CHK	Date	Item USB 3.0 CONNECTOR USB MICRO B FEMALE TYPE(SMT)
FINISH See Notes		APPR	Date	Dwg. No. A05869
Scale N/A	Unit: mm			SIZE A4 REV 1.0

Drawing is subject to change without notice. Any updated information required, please contact with our sales dept.