

CUSTOMER COPY

RoHS

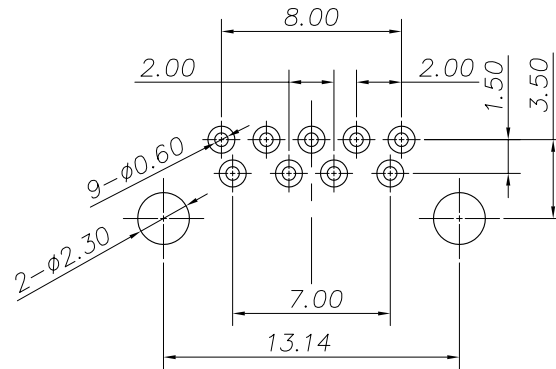
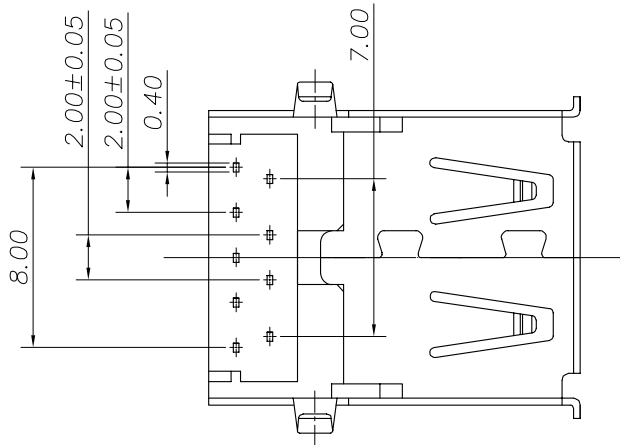
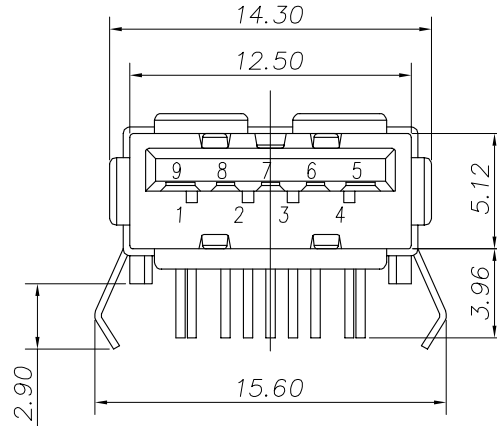
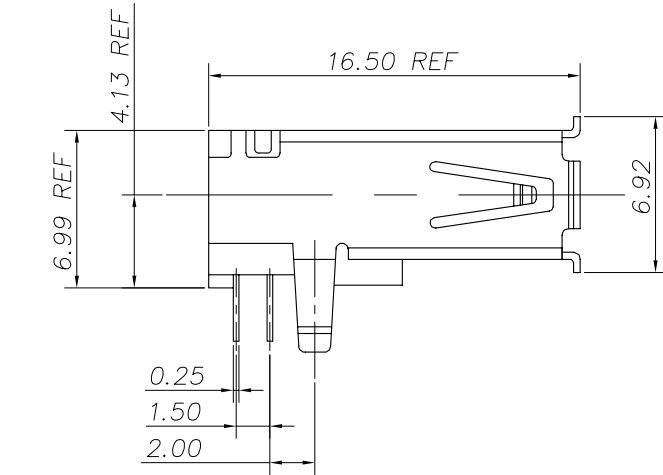
REV.	DESCRIPTION	BY/DATE	CHECK/DATE	APPROVED/DATE
1.0	D2224	Lemon Sep,26,09'		

Notes:

- 1) Material:
 Insulator : Thermoplastic G.F. UL94V-0
 Contacts : Brass T=0.25mm
 Shell : Brass T=0.30mm
- 2) Finish:
 Shell : 80~120u"Nickel Plated.
 Contact area : 30u"Gold Plated Over 40u"Nickel min.
 Solder area : 80~120u"Tin Plated over 40u"Nickel min.
- 3) Environmental :
 -55°C to +85°C
- 4) Electrical:
 Rated voltage and current : 1A Max.
 Dielectric withstanding voltage : 30V(ac) for 1 minute.
 Contact resistance : Before life test 30m ohm max.
 After life test 50m ohm max.
 Insulation resistance : 1000M ohm min at DC 500V.
 Insertion force : 35 Newtons max.
 Extraction force : 10 Newtons min.
 Solderability : Terminal shall be immersed in flux before text ,Then dip in molten solder for 5±0.5 sec. At 245±5°C

5) QC Dimension Check

■ Critical ☒ Major □ Minor



PC BOARD LAYOUT

General Tolerance	Angle Tolerance	Dwg	Date	ElectronicLinks international inc
.X ±0.25	.X° ±1.0°	Victor	Sep,26,07'	
.XX ±0.20	.XX° ±0.5°	Design	Date	Item USB Connector USB-A(F)90°(3.0版)
.XXX ±0.10	.XXX° ±0.2°	Victor	Sep,26,07'	
SHEET 1/1		CHK	Date	Dwg. No. A05712 Part No.USB-9FARSXXXX
FINISH See Notes		APPR	Date	
Scale N/A	Unit: mm			SIZE A4 REV 1.0