

Editor's Contact:

Francesco Liburdi

US: +1. 607.7683340

Italy: +39.348.6578677

fliburdi@electronic-links.com

Binghamton, NY – 28 May 2019

Electronic Links International is introducing a battery wafer that will provide a steady voltage, reduce the resistance and charge the battery quickly. The overall result is saving fuel while increasing the life of the battery.

For additional information visit the Automotive section in the Products area.

Electronic Links international, Inc. assumes no responsibility for inaccuracies or omissions in the information contained in this document. Specifications are subject to change without notice. Additional information about Electronic Links International, Inc. is available at www.electronic-links.com

Electronic Links International, Inc.

59 Court Street-2nd floor

Binghamton NY 13901 USA

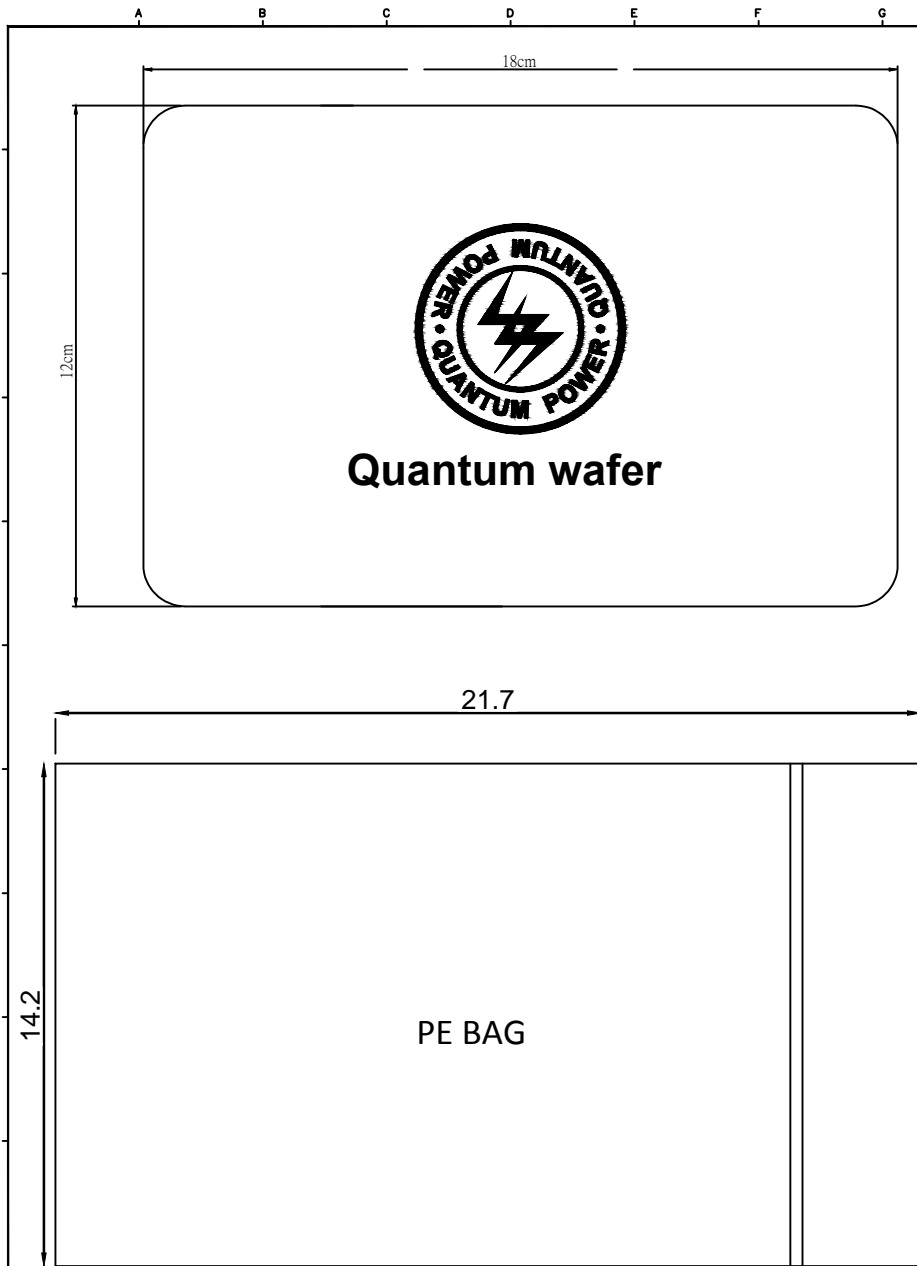
Viale A. De Gasperi, 101/103

20017 Mazzo Di Rho (MI) Italy

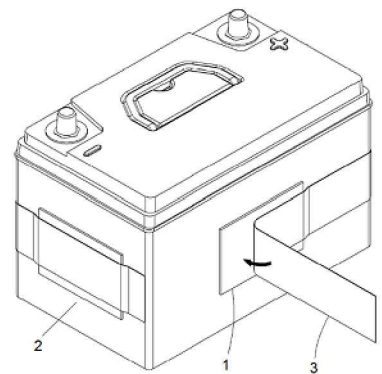
fliburdi@electronic-links.com

johndee@liburdii.com

p.minotti@recitalia.it



INSTALL METHOD



One plate per battery is needed.
Can be mounted as fig 1 or 2
using tape 3 provided.

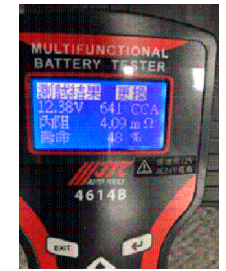
È necessaria una piastra per batteria.
Può essere montata come in fig 1 o 2
usando il nastro 3 fornito.

TEST RESULT



BEFORE

AFTER



Steady the Voltage Reduce the Resistance Charge Quickly
The new battery quantum wafer method can be mounted vertically and horizontally, allowing the battery to discharge large amounts, stabilize voltage, and charge quickly. It can withstand deep discharge and high cycle. Also increase the service life and horsepower naturally, so that your car can save fuel .

Stabilizzazione della Tensione - Riduzione della Resistenza - Caricare Rapidamente

Il nuovo metodo di wafer quantitativo della batteria puo essere montato in modo orizzontale oppure verticale, permettendo alla batteria di stabilizzare la tensione e ricaricarsi rapidamente. La batteria puo' resistere ad alte scariche ed alti cicli, alfine di aumentare la vita di servizio e la potenza in modo naturale della stessa e quindi anche di far risparmiare il carburante.