

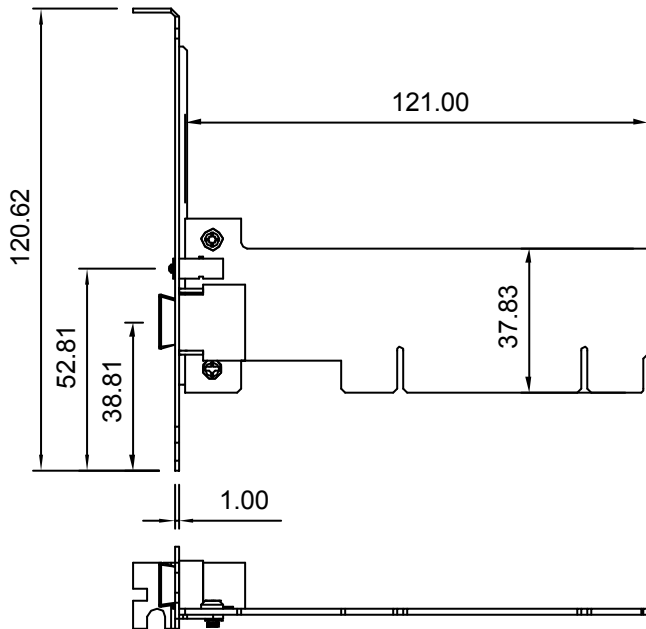
Electronic Links international inc

DATE	Oct/06/08'
PART NUMBER	B0604027 ^{1.1}
	A05145 ^{1.1}
DESCRIPTION	PCI to POF LAN Card
	FEPCI-O21

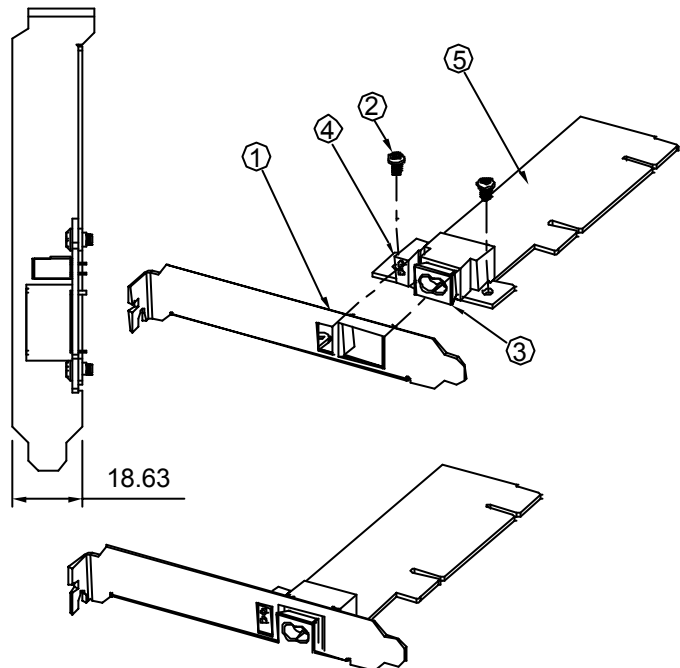
REV.	DATE	DESCRIPTION	BY
1.0	Oct/06/08'	D2001	JLD

CONFIGURATION

END A



END B



SPECIFICATION OF MATERIAL

ITEM	DESCRIPTION	QTY	ITEM	DESCRIPTION	QTY
(1)	Bracket, Size: 130.6x17.6x1mm, for FEPCI-XXX V2.0	1PC	(4)	LED L-4060XH/1I1G1XD	1PC
(2)	Screw M3x0.5mm, Size : 7.0x5.0x5.5mm	2PCS	(5)	PCB Ass'y, for FEPCI-XXX	1PC
(3)	OLKDX-EERWBC	1PC			

4. CONNECTOR PIN OUT

5. SPECIAL REQUIREMENTS

5.1 RoHS.